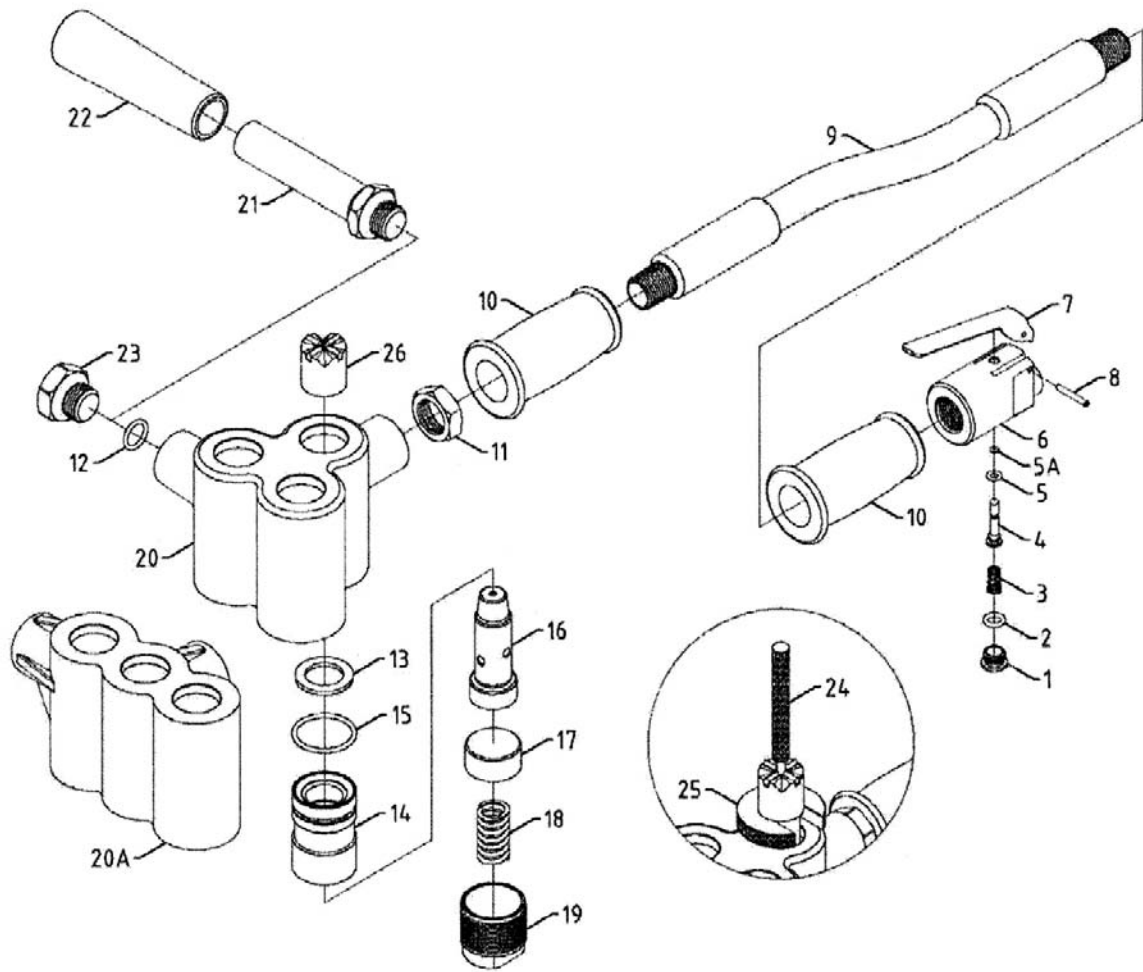


# AIR SCALING HAMMER



**Parts Description**

<u>No.</u>	<u>Description</u>
01.	Valve Cap
02.	O-Ring (d7.8 x w2.4)
03.	Valve Spring
04.	Valve Stem
05.	O-Ring P5(d4.8xd1.9)
05A.	O-Ring (d2xw1.5)
06.	Backhead
07.	Lever
08.	Spring (Ø3x24L)
09.	Pipe
10.	Rubber Grip (2)
11.	Nut
12.	O-Ring P14(d13.8xw2.4)
13.	Brush (3)

**Parts Description**

<u>No.</u>	<u>Description</u>
14.	Cylinder (3)
15.	O-Ring AS124 (d31.42xw2.62) (3)
16.	Piston (3)
17.	Spring Seat (3)
18.	Compression Spring (3)
19.	Cylinder Cap (3)
20.	Housing ( for GP-0153 )
20A.	Housing ( for GP-0153S )
21.	Side Handle
22.	Rubber Grip
23.	Hex Bolt
24.	Rod
25.	Washer
26.	Tungsten cutter Head (3)